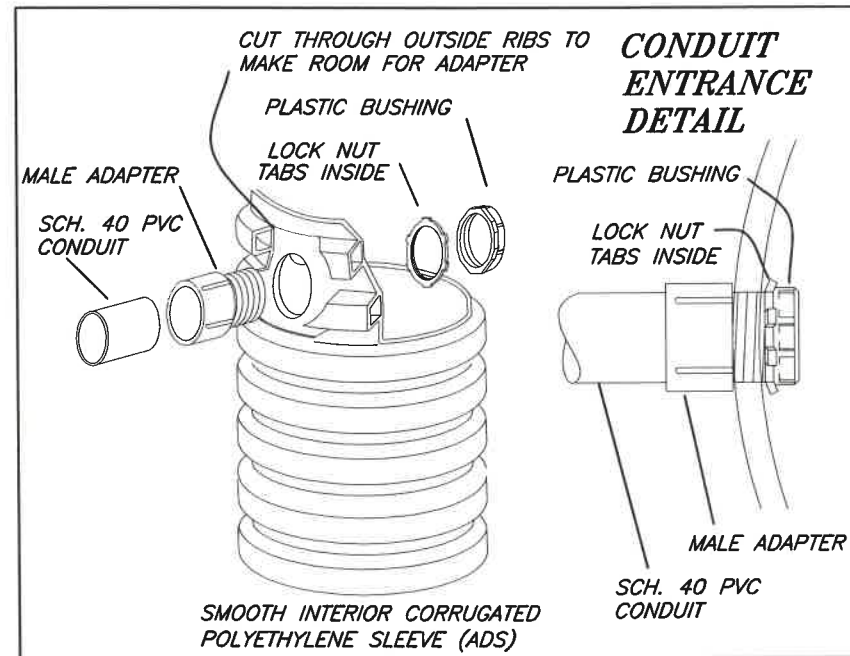
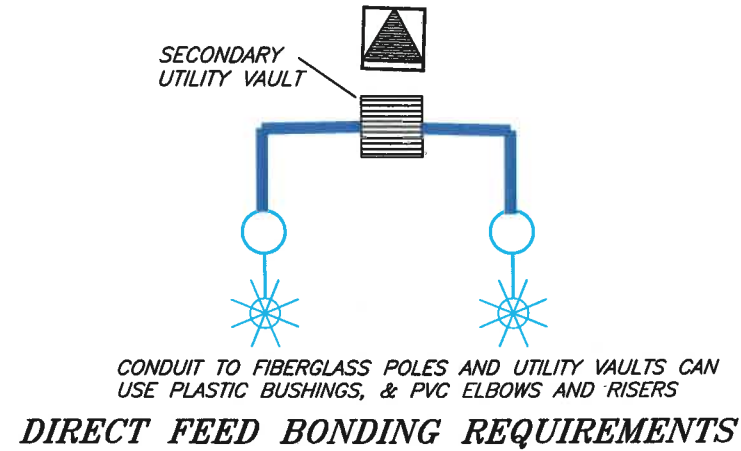
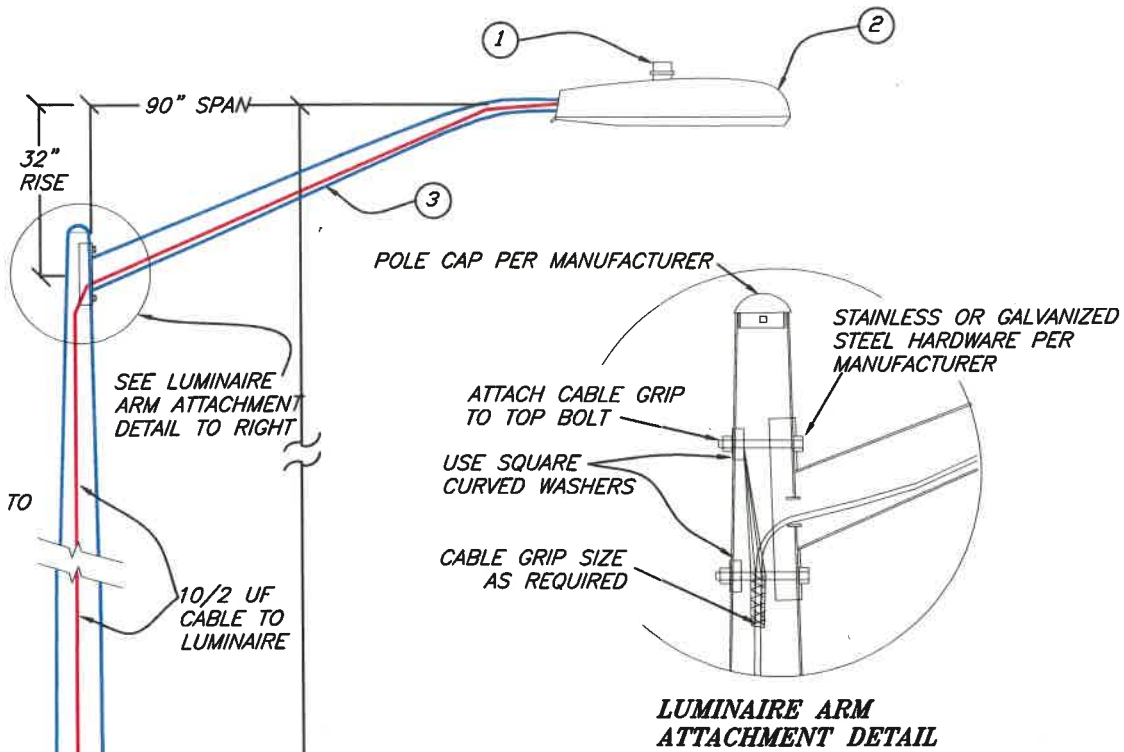
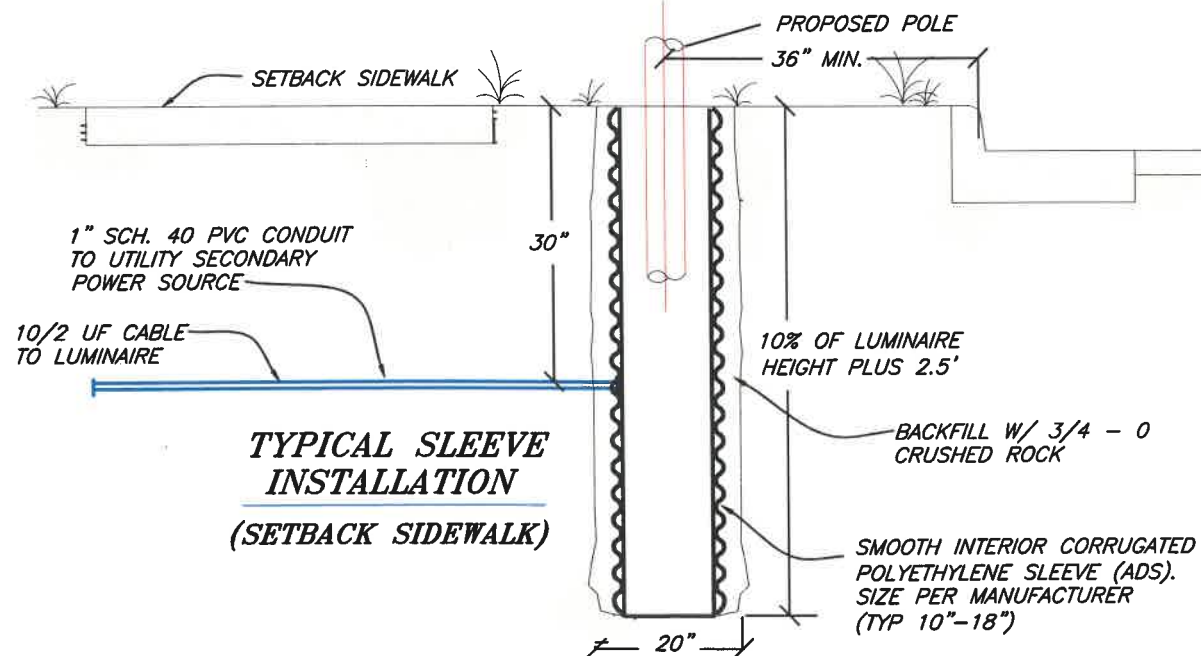
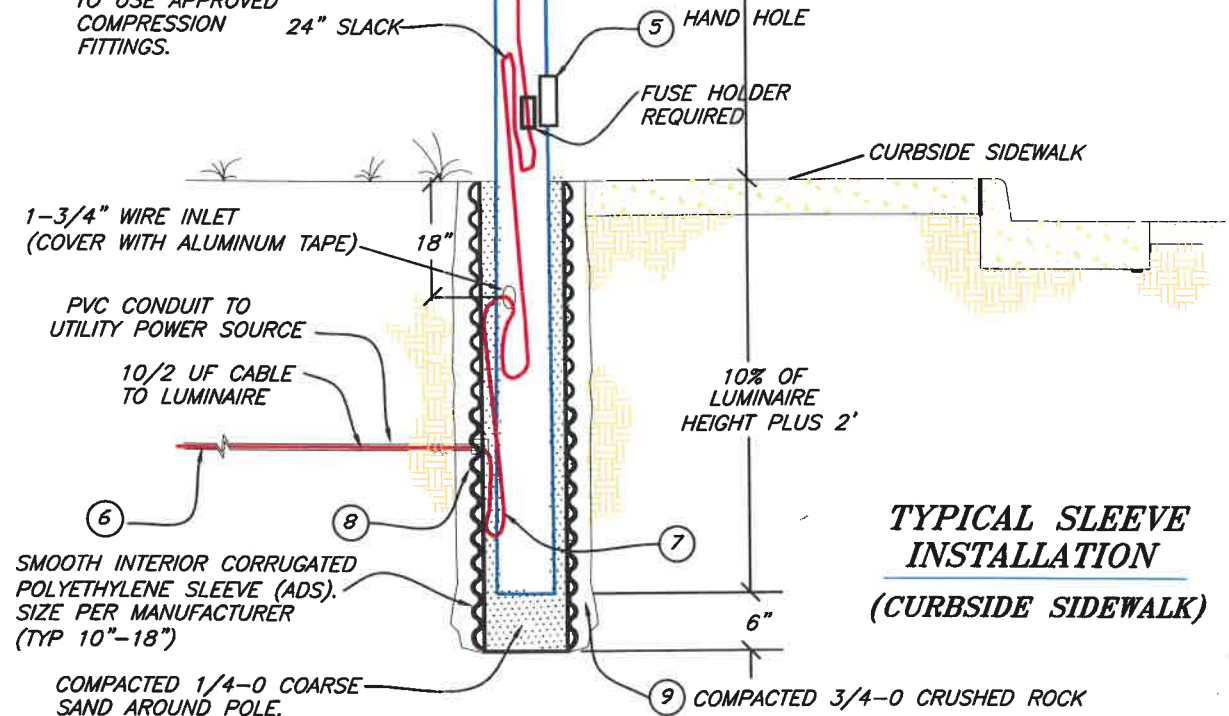


LEGEND

- ① THREE PRONG NEMA PEC, ORIENT TO NORTH
- ② CUTOFF (LED) LUMINAIRE FIXTURE WITH SEVEN PIN NEMA RECEPTACLE
- ③ ALUMINUM TAPERED OVAL MAST ARM USE 6' ARM FOR SETBACK SIDEWALK. USE 8' ARM FOR CURBSIDE SIDEWALK
- ④ FIBERGLASS POLE WITH GREY (BLACK) FINISH 90 MPH, 5 SQ. FT. EPA
- ⑤ POLE HAND HOLD AS SHOWN ON PLANS.
- ⑥ 3' SLACK IN 10/2 UF CABLE. UTILITY TO MAKE SERVICE CONNECTION AT SECONDARY POWER VAULT TO STREET LIGHT CONDUCTOR.
- ⑦ 7' SLACK IN 10/2 UF CABLE FROM PVC CONDUIT TO POLE ENTRANCE.
- ⑧ 1" MIN. SCH. 40 PVC CONDUIT. SEE CONDUIT ENTRANCE DETAIL
- ⑨ BACKFILL W/COMPACTED 3/4-0 CRUSHED ROCK



NOTE: ALL SPLICES TO USE APPROVED COMPRESSION FITTINGS.




No.	Revision/Issue	Date	By
1	Rev direct feed w/o Jbox	06/16	
2	Revised final design	09/18	
3	Updated sleeve size	09/20	CH
4	Updated wind loading	05/22	SQM
5	Updated misc details	02/23	SQM

STANDARD DRAWING
TSD5_24b

Fiberglass Pole with "Cobra Head" Luminaire Detail

City of Springfield




EXP DATE: 12-31-2023

February 16, 2023

NOT TO SCALE

DRAWN BY: D. BISHOP
DESIGNED BY: B. BARNETT
CHECKED BY: