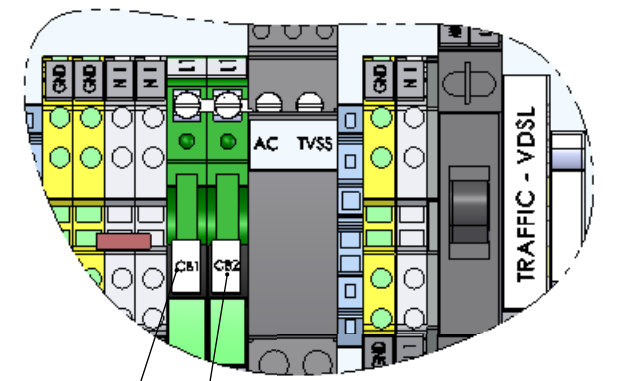
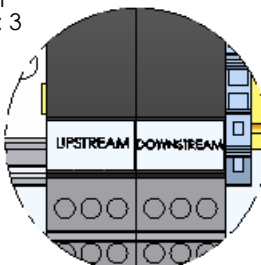


ITEM	M52566	PART NUMBER	DESCRIPTION
1	1	M53059	PANEL, COMM, DIN RAIL, EXTRA DEEP
2	4	M45943	CORNER PLATE
3	8	M46163	RIVET .94, 0.31- .125 GRIP, ALUMINUM, AEROSPACE
4	3	M22733	CR-PHMS 0.19-32x1x1-N
5	1	M11596	SCREW, 10-32 X1/2, PH, TR, SS
6	1	M35075	DIN RAIL, 5.00"
7	3	Default	SPACER 5/8" DEEP, X 1/4" I.D. X 5/8" O.D.
8	2	M46081	GROMMET, ADHESIVE LINED
9	4	M11686	WASHER, #10, EXT. TOOTH, SS
10	2	M46020	END CAP, DIN RAIL, NS 35/15
11	1	M46038	TERMINAL STRIP MARKERS
12	2	M46021	END CLAMP, E/NS 35 N
13	1	M46034	SURGE PROTECTION AND BASE
14	6	M46022	SNAP-ON END BRACKET, CLIPFIX 35-5
15	1	M46033	CIRCUIT BREAKER, THERMOMAGNETIC
16	1	M46028	END COVER, UT 4-QUATTRO
17	3	M46027	TERM BLK, FOUR CONDUCTOR
18	3	M46039	TERM BLK, FOUR CONDUCTOR
19	2	M46029	TERM BLK, FUSE MODULAR, UK 6-FSI/C
20	1	M46031	CIRCUIT BREAKER, THERMAL, TCP 4
21	1	M46026	TERM BLK, D-UT 2.5/10 COVER
22	6	M46025	TERM BLK, FEEDTHRU, UT 4 BK
23	2	M46023	BASE, SURGE PROTECTION, PT-BE/FM
24	2	M46024	SURGE PROTECTION PLUG, PT 2-F-ST
25	3	M27415	FLAT WASHER, #10 S/S
26	2	M46174	CABLE TIE MOUNT, ADHESIVE PANDUIT
27	1	M46175	PLUG-IN BRIDGE, 2 POS, RED, FBS 2-6
28	1	M52567	OUTLET BOX, DIN RAIL MOUNT
29	1	LABEL	
30	1	M46030	CIRCUIT BREAKER, THERMAL, TCP 0.25
31	1	M46032	FIXED BRIDGE, 10 POS, FBI 10-8
32	1	M52569	HARN COMM PANEL ASSY, EXTRA DEEP

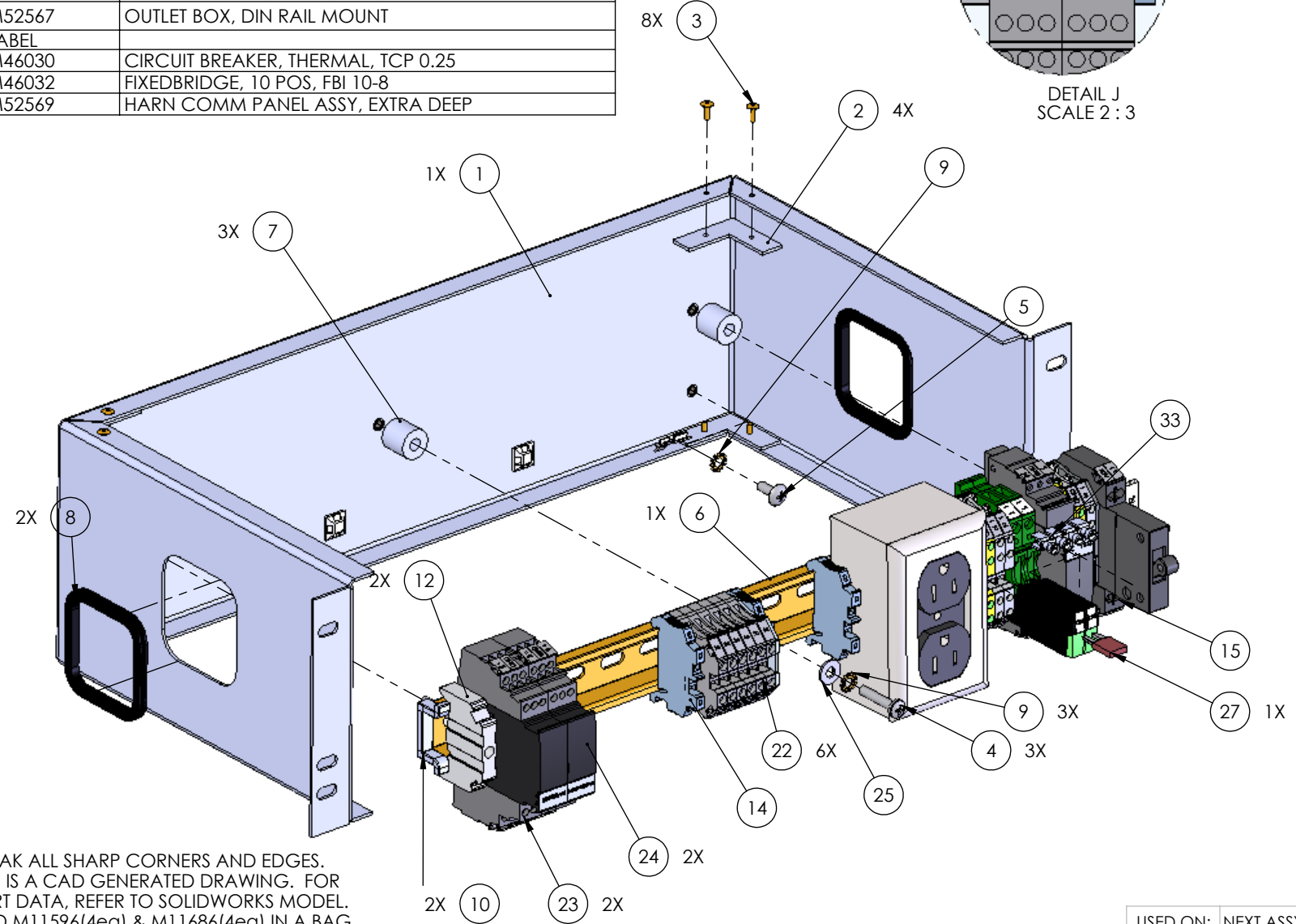
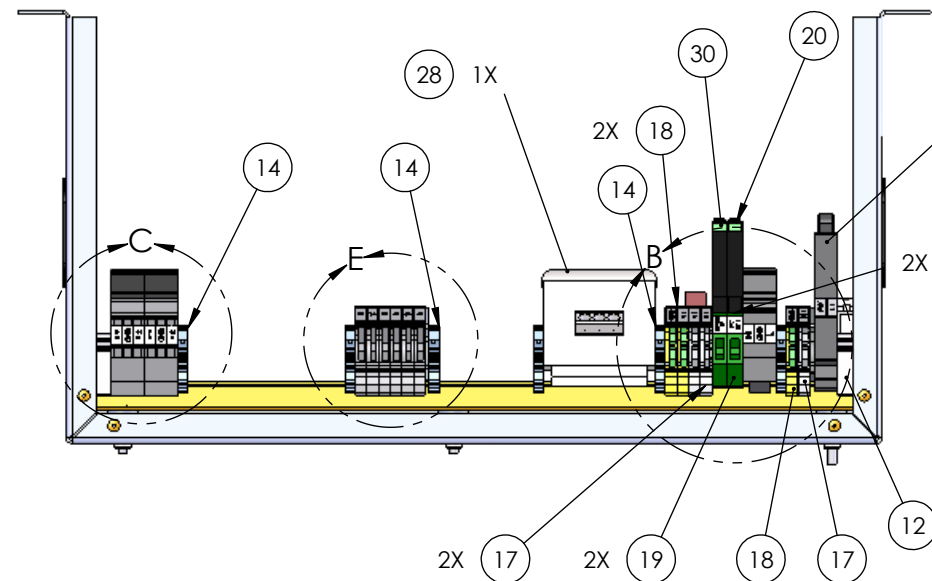
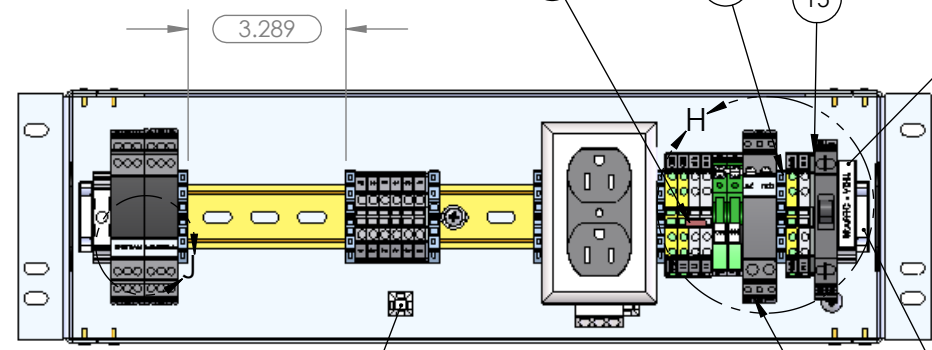
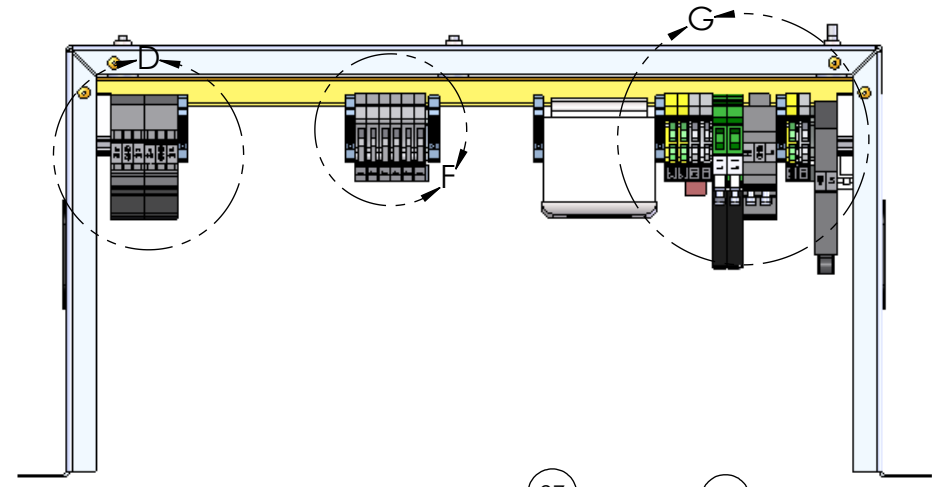
REVISIONS					
REV.	ECN	DATE	ZONE	DESCRIPTION	DET
A	EC-130068	08/26/2013		INITIAL PRODUCTION RELEASE	VJ



DETAIL H
SCALE 2 : 3



DETAIL J
SCALE 2 : 3



- NOTES:
- BREAK ALL SHARP CORNERS AND EDGES.
 - THIS IS A CAD GENERATED DRAWING. FOR PART DATA, REFER TO SOLIDWORKS MODEL.
 - ADD M11596(4ea) & M11686(4ea) IN A BAG FOR SHIPPING.
 - USE P TOUCH LABELS OR CONTACT ENGINEERING FOR OTHER OPTIONS.

PROPRIETARY AND CONFIDENTIAL
THIS DOCUMENT CONTAINS INFORMATION PROPRIETARY WITH MCCAIN INC. AND MAY NOT BE REPRODUCED OR DISCLOSED TO OTHERS WITHOUT THE WRITTEN CONSENT OF MCCAIN INC.

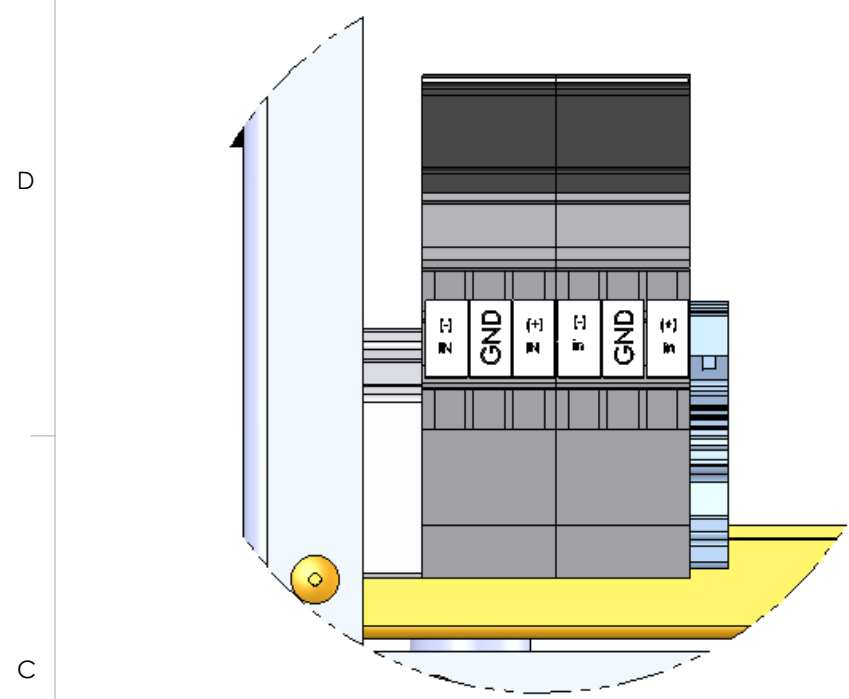
M52566

USED ON:	NEXT ASSY:	DETAILED CHECKED:	VJ 08/14/13	VJ 08/14/13	DIMENSIONS ARE IN INCHES TOLERANCES UNLESS OTHERWISE SPECIFIED: X = .1 XX = .03 XXX = .010 FRACTIONS ± 1/16
		MATERIAL:	SEE BOM		HOLES: XX = ±.015 XXX = +.003/-0.001
		FINISH:			ANGLES: ± 0.5 DEG.
		WEIGHT:			
		SCALE: 1:2			
APPLICATION					

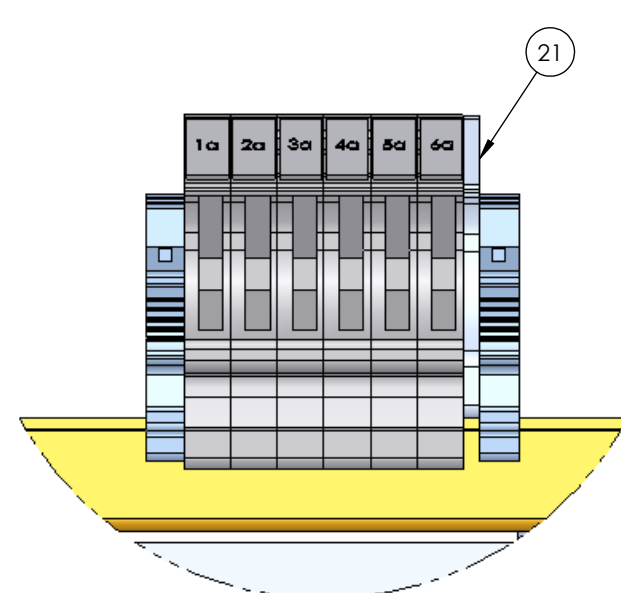
McCain
2365 OAK RIDGE WAY
VISTA, CA 92081

TITLE: COMM PANEL ASSY, RACK MNT, ODOT	SIZE: B
PART NUMBER: M52566	REV: A
SHEET 1 OF 2	

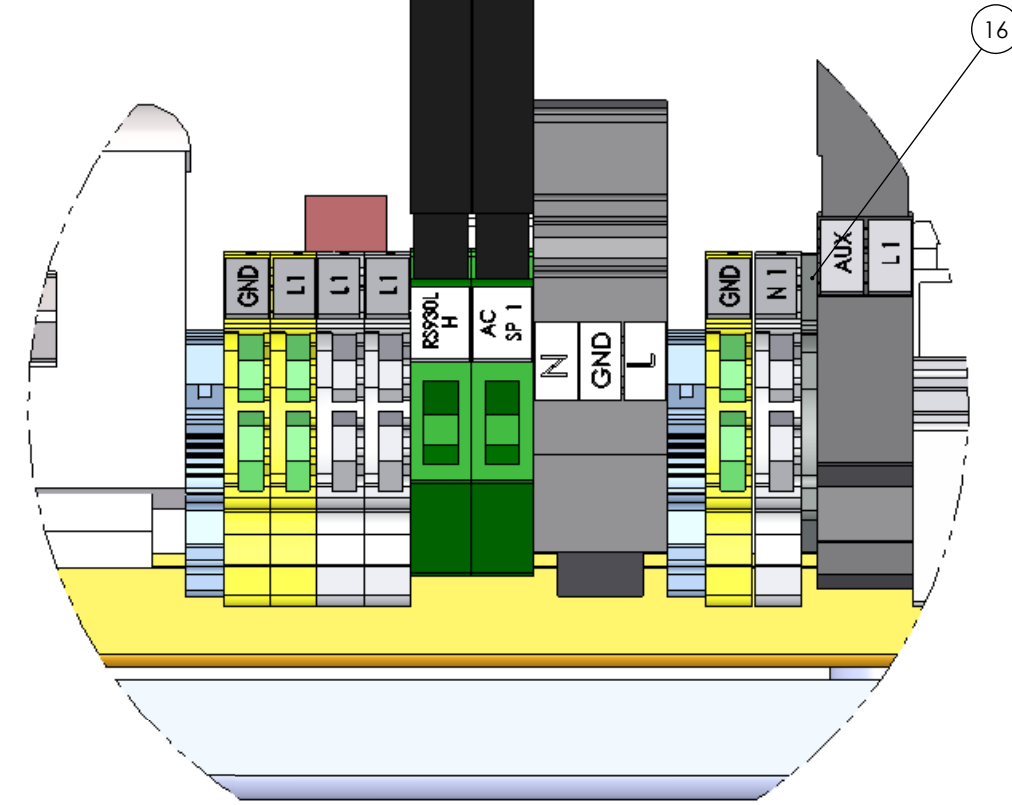
8 7 6 5 4 3 2 1



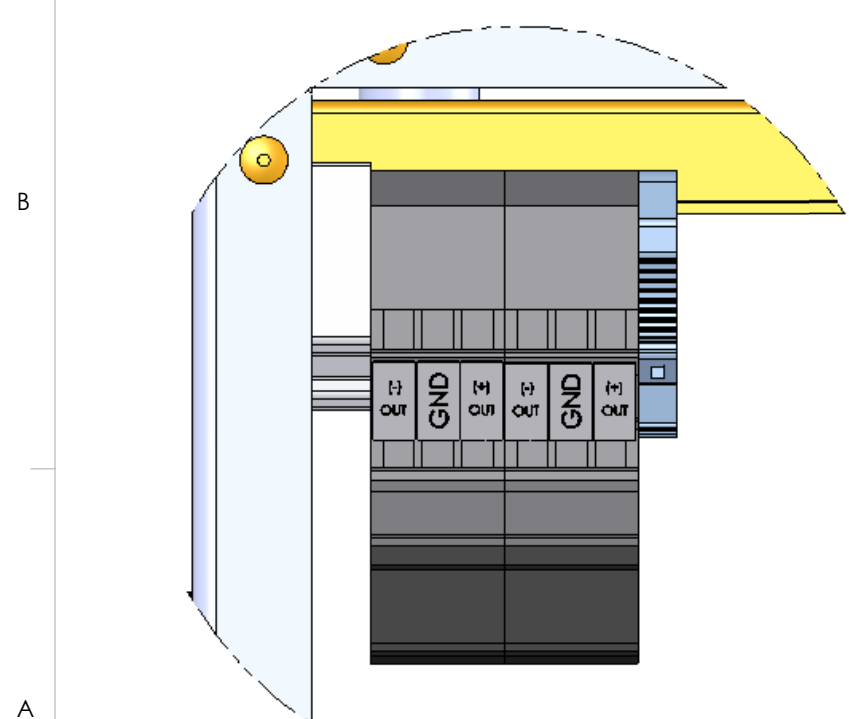
DETAIL C



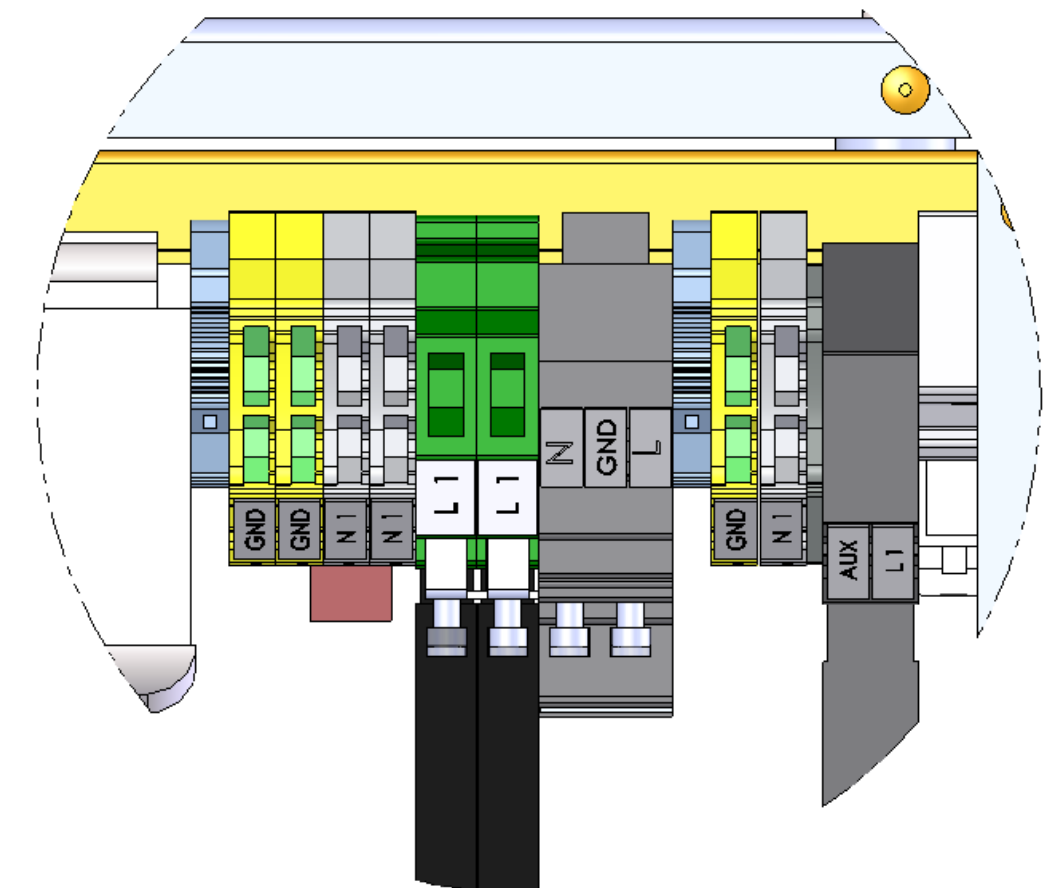
DETAIL E



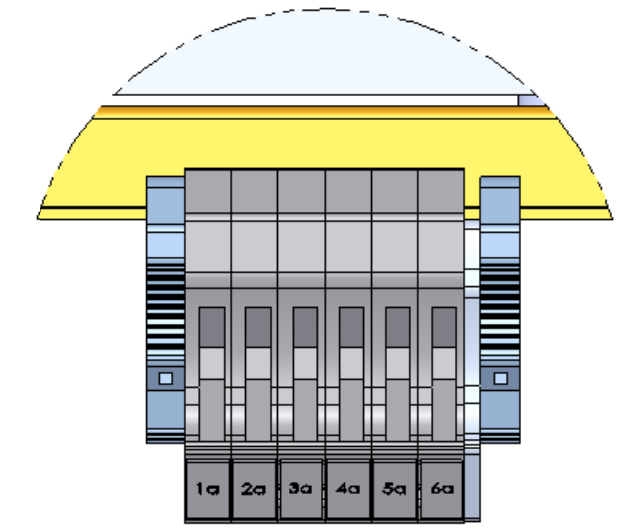
DETAIL B



DETAIL D



DETAIL G



DETAIL F

A B C D

8 7 6 5 4 3 2 1

PROPRIETARY AND CONFIDENTIAL
THIS DOCUMENT CONTAINS
INFORMATION PROPRIETARY
WITH McCAIN INC.
AND MAY NOT BE REPRODUCED
OR DISCLOSED TO OTHERS WITH-
OUT THE WRITTEN CONSENT OF
McCain INC.
SCALE: 1:1

McCain[®]
2365 OAK RIDGE WAY
VISTA, CA 92081

TITLE: COMM PANEL ASSY,
RACK MNT, ODOT
PRT NUMBER:
M52566
REV
A
SIZE
B
SHEET 2 OF 2