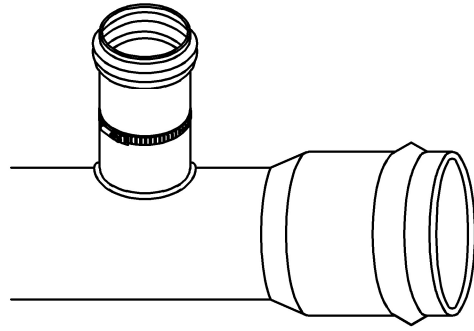
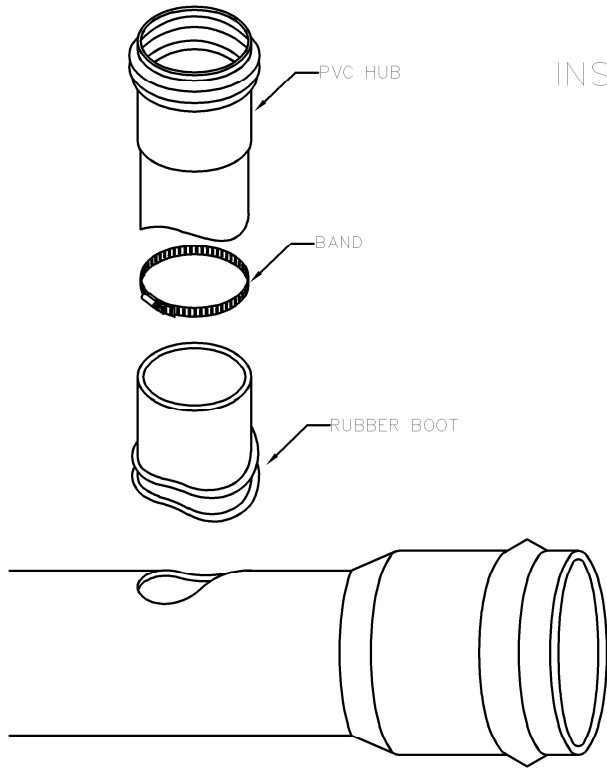


SANITARY TAP INSET-A-TEE TYPE

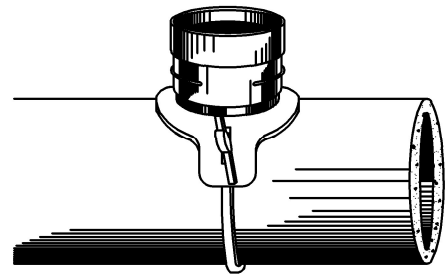
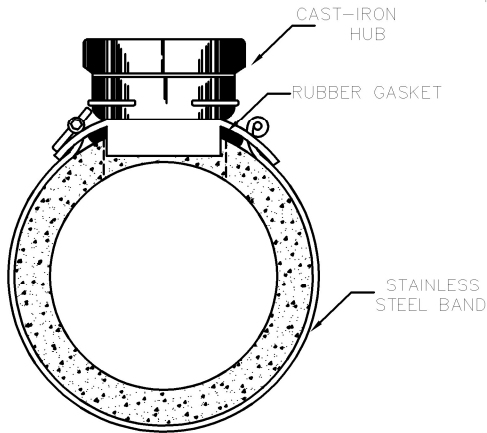


NOTE:

****REQUIRED****

1. PIPE SHALL BE CORE-DRILLED
2. PLUG SHALL BE RETRIEVED

FOWLER – TYPE TEE OR EQUAL



REGISTERED PROFESSIONAL
ENGINEER
70925PE

OREGON
JUNE 14, 2007
STANLEY A. PETROFF

EXP DATE: 12-31-2024



TYPICAL PIPE CONNECTIONS

| NO | REVISION | DATE | BY | APPR. |
|----|----------------|---------|----|-------|
| 1 | DRAWING UPDATE | 06/2008 | JP | |
| 2 | DRAWING UPDATE | 04/2024 | TG | |
| | | | | |
| | | | | |

STANDARD
DRAWING
4-7
2024