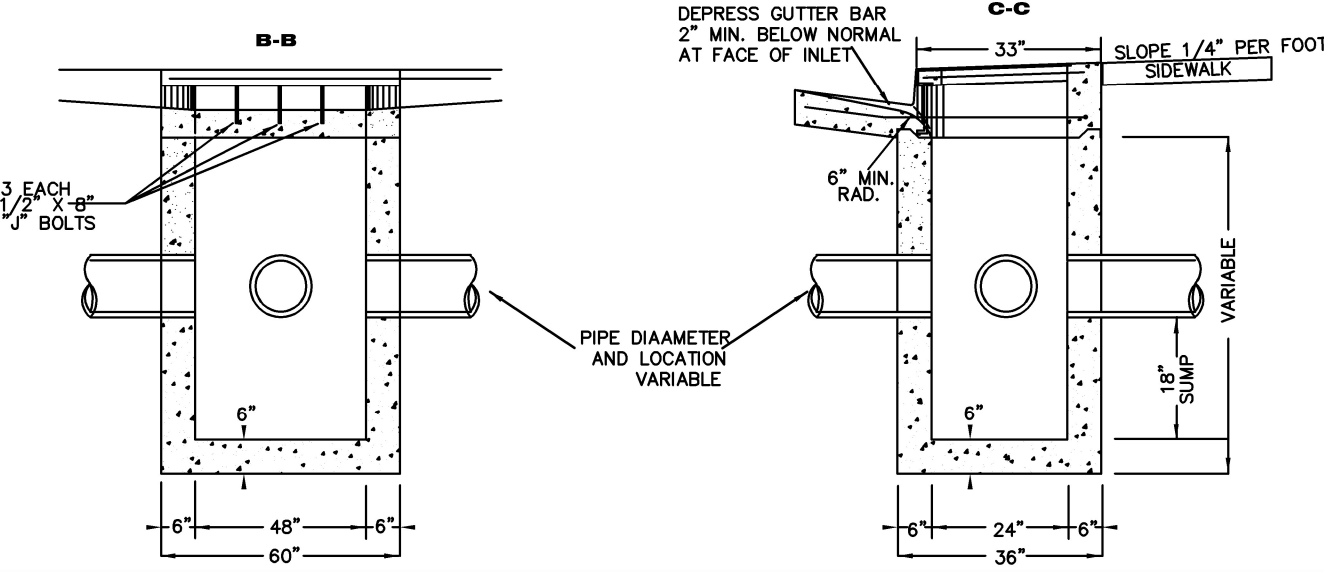


- NOTE:
1. ALL CONCRETE SHALL BE A MIN. 3500 PSI COMPRESSIVE FIELD STRENGTH AT 28 DAYS.
  2. A ROUND MANHOLE TYPE LID MAY BE USED OR SUBSTITUTED WITH AN APPROVAL FROM THE CITY ENGINEER.
  3. BASE MAY BE PRECAST OR CAST IN PLACE.



REGISTERED PROFESSIONAL  
ENGINEER  
70925PE

OREGON  
JUNE 14, 2007  
STANLEY A. PETROFF

EXP DATE: 12-31-2024



# CURB INLET BATCH BASIN TYPE 4A

NO	REVISION	DATE	BY	APPR.
1	DRAWING UPDATE	06/2008	JP	
2	DRAWING UPDATE	04/2024	TG	

STANDARD  
DRAWING  
**4-10A**  
2024